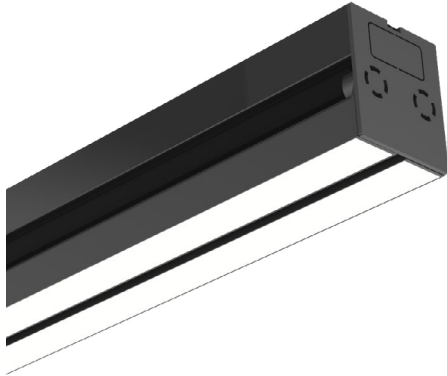


Streamline Rotatable LED

Linear Light

To learn more, Go to www.tp-led.com



Upgrade from previous StreamLine series linear lights, TOPBAND makes the 4FT & 5FT rotatable double linear lights, ideal for major supermarkets, storage room and exhibition hall. It's an excellent alternative to traditional linear lighting systems. The StreamLine Rotatable Linear lights has the impressive characteristics of rotatable lamps. Two lamps can be adjusted to provide more scientific and reasonable illumination for the goods on the store shelves. 0-10V dimmable and pendant mounted only.



Product Features

Electrical

- Long-life LEDs, coupled with a high-efficiency driver, provide extended service life.
- 0-10V dimming function, dimming from 0% to 100% range.
- Fixture operates at 100-277VAC, 50/60Hz. Power efficiency up to 88%.
- LED drivers have over-voltage, over-current and short circuit protection.
- Surge protection: 2000V. System power factor is >0.9 and THD<20%.
- FMLL is rated to deliver L70 performance at 50,000 hours.

Optical

- With rotatable lamps, the linear lights become uniform and have no dark areas.
- High CRI luminaires can restore original colors of the clothes better.
- LEDs available in 3000K, 4000K and 5000K.
- Projected life is 50,000 hours at 70% lumen output.
- Environmentally-friendly: No mercury. No hazardous substances.

Construction

- The lamp body is made of high-density 6063 aluminum, which has the advantages of high strength, high and low temperature resistance.
- Operating temperature range: -20°C ~ +45°C (-4°F ~ +113°F).
- Lamps can be rotated flexibly for particular lighting requirements. Each rotation is 15 degrees. The max rotation angle is 75 degrees.
- PC cover provides consistent illumination.
- The good sealing performance is protected from dust accumulating and insect entry.
- The unique structure of the fixture is designed for easy installation and can save a lot of illuminations time and labor costs.

Mounting

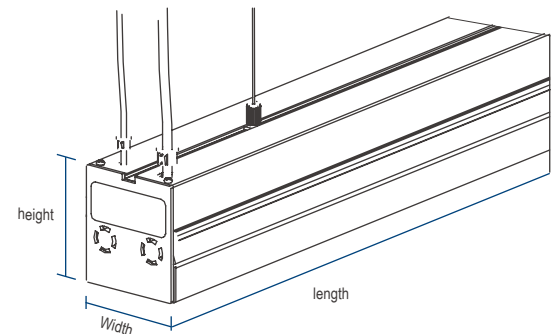
- Fixtures can be pendant mounted with appropriate mounting accessories. Be capable of being continuous row mounted or installed as a stand-alone fixture.

Application

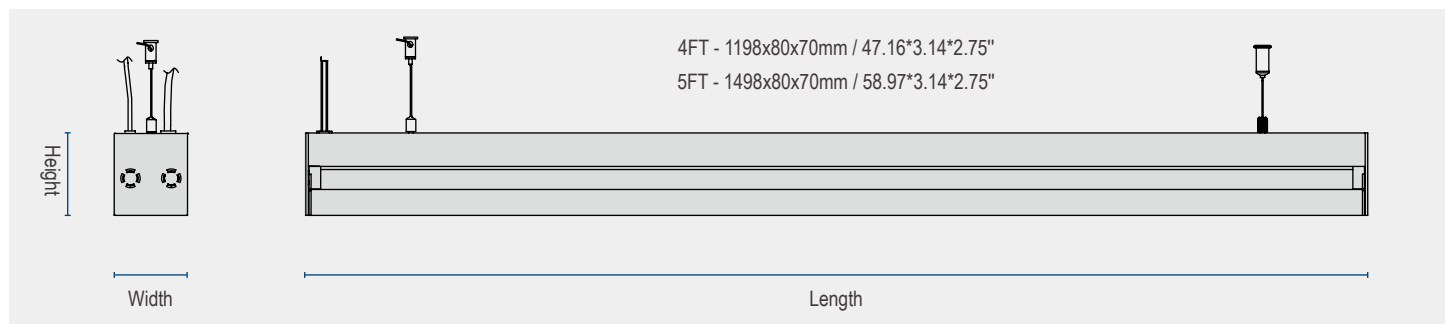
- Ideal for indoor applications in commercial, supermarket, retail, manufacturing, warehouse, and display areas.

Rating

- ETL, CE, RoHS listed. All components are qualified materials.
- Five years standard warranty. Backed by TOPBAND reliable performance.



Product Dimensions



Streamline Rotate LED Linear Light

To learn more about saving money and energy, Go to www.tp-led.com

Parameter

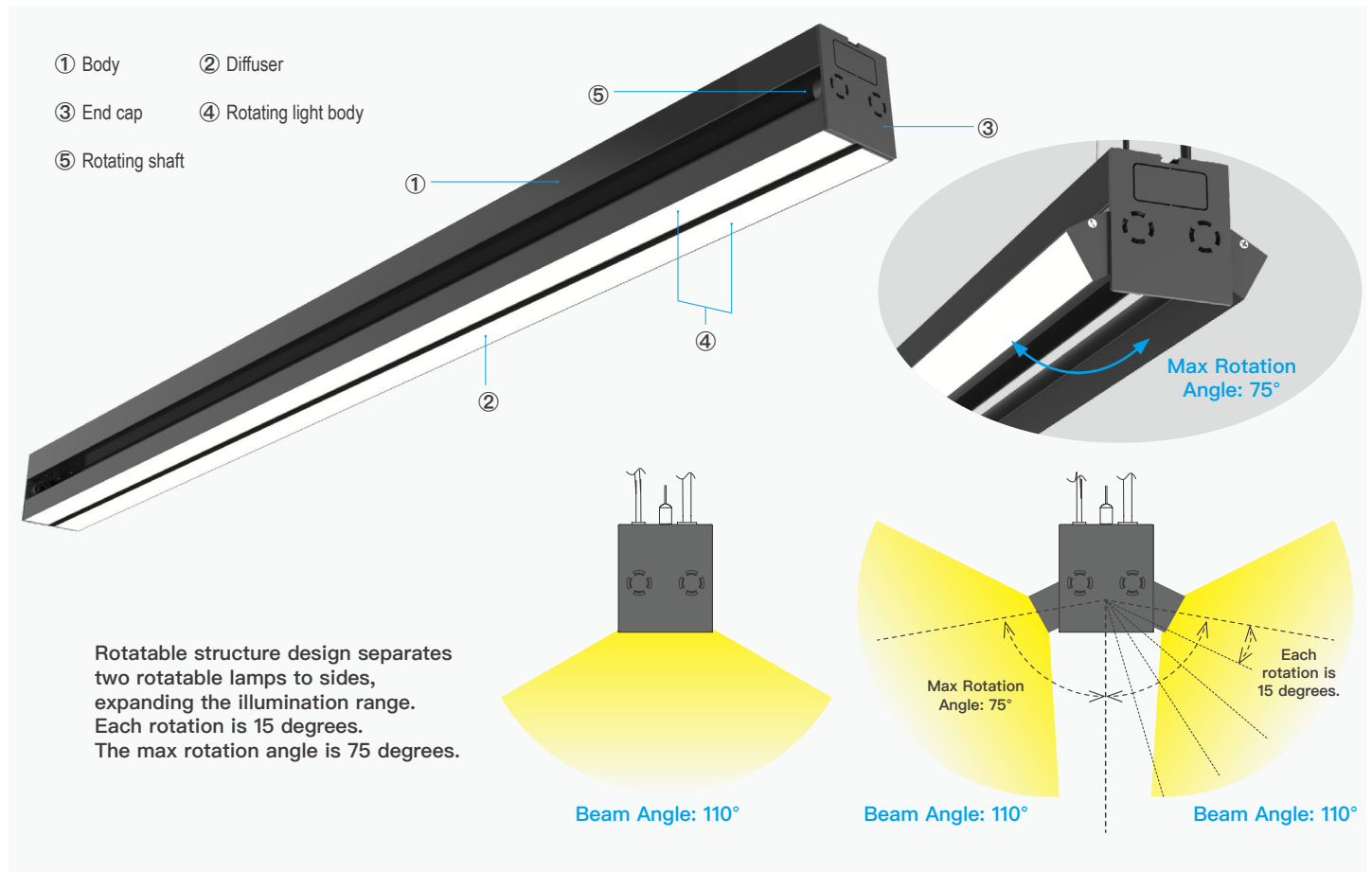
| Ordering Information | | | | | | | Example: TPSLRLN4DLA-40WB | |
|----------------------|-------------------|---------------|----------------|-------------|------------|------------------|---------------------------|---------------|
| TP | SLR | LN | 4 | D | L | A | 40W | B |
| Manufacturer | Products Series | Products Type | Length | Function | AC Input | Version | Product Wattage | LEDs |
| Topband | Streamline Rotate | Linear light | 4=4FT 5=5FT | D= Dimmable | AC100-277V | First production | 40W, 50W | SMD 2835 LEDs |

| Summary | Model No. | Power | Lumens | Efficacy | Size | CCT Range |
|-------------------|------------------|-------|--------|----------|------|-----------------------|
| Streamline Rotate | TPSLRLN4DLA-40WB | 40W | 4400lm | 110LPW | 4FT | 3000K / 4000K / 5000K |
| | TPSLRLN5DLA-50WB | 50W | 5500lm | 110LPW | 5FT | 3000K / 4000K / 5000K |

| Summary |
|---|
| Brightness Adjustable: 0% ~ 100% |
| Beam Angle: 110° |
| Output Voltage: 36 V |
| Texture : Frosted cover |
| Colour: Black |

* The irradiation direction is adjustable, that can be spliced together.

Details



Streamline Rotate LED Linear Light

To learn more about saving money and energy, Go to www.tp-led.com

Energy saving solution

Estimated lighting costs using a traditional fluorescent lights

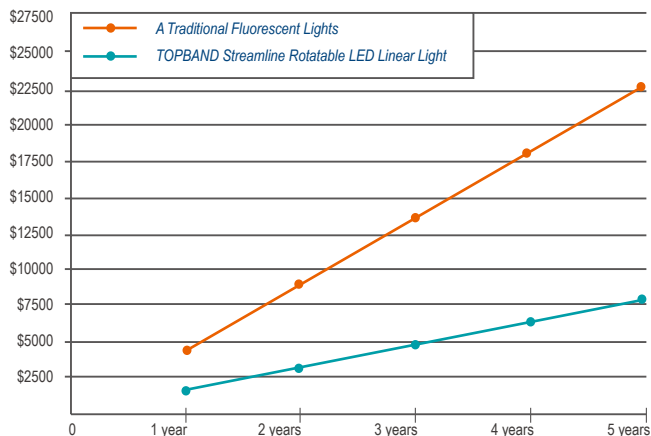
| | |
|--------------------------|---|
| Present wattage | 85 W |
| × Annual operating hours | 4,380 hrs |
| | = 372,300 Watt-Hours |
| ÷ 1,000 | = 372.3 kWh per year |
| × kWh rate of \$0.10 | = \$37.23 per year |
| × 125 fixtures | \$4,653.75 annual energy cost per space |

Estimated lighting costs using a TOPBAND Streamline Rotatable LED Linear Light

| | |
|--------------------------|--------------------------------------|
| Present wattage | 40 W |
| × Annual operating hours | 4,380 hrs |
| | = 175,200 Watt-Hours |
| ÷ 1,000 | = 175.2 kWh per year |
| × kWh rate of \$0.10 | = \$17.52 per year |
| × 125 fixtures | \$2,190 annual energy cost per space |

Total estimated annual savings \$2,463.75

Based on 125 fixtures per space operating 4,380 hours a year. 125 fixtures is roughly equivalent to a 10,000 square foot space. kWh rates will vary.



Savings calculations are based on energy costs using \$0.1 per kWh and 12 hours of daily operation.

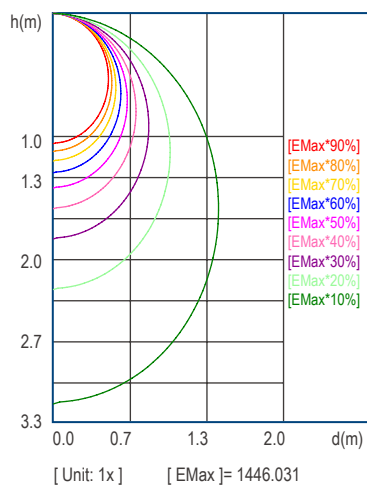
Photometry

TPSLRLN4DLA-40WB-2835LEDMLS-4400 nominal delivered lumens

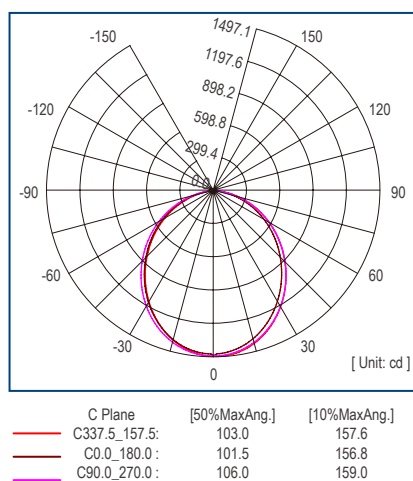
| | | | | | | | | | | | | | | | | |
|---|--|--|--|--|--|--|--|--|--|--|--|--|--|--|--|--|
| Catalog No. TPSLRLN4DLA-40WB Manufacture: TOPBAND S/MH: C0_a180=1.174 C90_270=1.215 Lamp Type: LED Rated Voltage: 220V | Coefficients of Utilization Coefficients of Utilization - Zonal Cavity Method Coef. Effective Floor Cavity Reflectance RFC=0.20 RhoCC(%) 80 70 50 30 10 0 RhoW(%) 70 50 30 10 70 50 30 10 50 30 10 50 30 10 50 30 10 0 RCR Coefficient of Utilization(%) | | | | | | | | | | | | | | | |
| | 0 117 117 117 117 114 114 114 114 114 109 109 109 104 104 104 99 99 99 97 1 107 103 98 95 104 100 96 93 96 93 90 92 89 87 88 86 84 82 2 98 90 83 78 95 88 82 76 84 79 74 80 76 73 77 74 71 68 3 89 79 71 65 87 77 70 64 74 68 63 71 66 61 68 64 60 58 4 82 70 62 55 79 69 61 55 66 59 54 64 58 53 61 56 52 50 5 75 63 54 48 73 62 53 47 59 52 47 57 51 46 55 50 45 43 6 70 57 48 42 68 56 47 41 54 46 41 52 45 40 50 44 40 38 7 65 51 43 37 63 50 42 37 49 42 36 47 41 36 46 40 36 34 8 60 47 39 33 58 46 38 33 45 38 32 43 37 32 42 36 32 30 9 56 43 35 30 55 42 35 20 41 34 29 40 34 29 39 33 29 27 10 53 40 32 27 51 39 32 27 38 31 27 37 31 26 36 30 26 25 | | | | | | | | | | | | | | | |

Photometric values based on test performed in compliance with LM-79.

C0 Space ISO Illuminance Curve



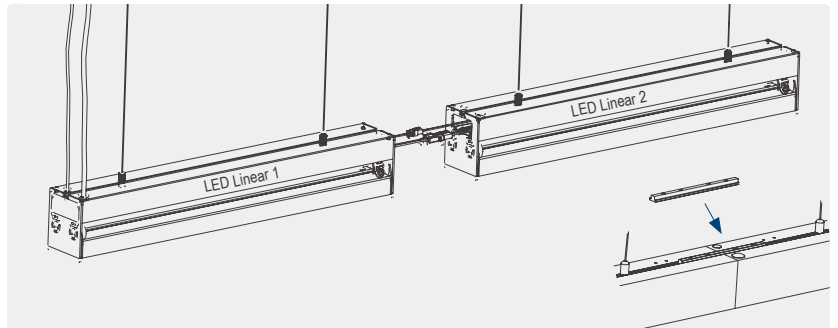
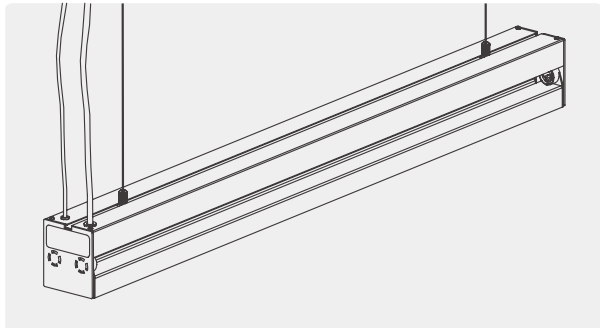
C Plane Distribution Diagram



Streamline Rotate LED Linear Light

To learn more about saving money and energy, Go to www.tp-led.com 

Installation-Cable suspended



TOPBAND Streamline Rotate LED Linear Light:

- Please check the accessory bag before installation.
- Turn power off before installation or disassembly.
- Connect the wires correctly.
- Please refer more information to [Installation Manual of Streamline Rotate LED Linear Light](#).

Max Connected Numbers

| Dimensions: Length*Width*Height | Item | AC 100~120V | AC 220~240V | AC 100~240V |
|---------------------------------|------|-------------|-------------|-------------|
| 4FT- 1198x80x70mm | 40W | 7 pcs | 16 pcs | 7 pcs |
| 5FT- 1498x80x70mm | 50W | 5 pcs | 12 pcs | 5 pcs |



TOPBAND

CO-INNOVATING A SMARTER FUTURE

Stock code: SZ002139

FOR LIGHT EFFICIENT DESIGN PRODUCT INFO CALL
TEL. +86-755 2765 1503 • Email. sales@tp-led.com •
SHENZHEN TOPBAND CO.,LTD.
Add: Topband Industrial Park, Bao'an District, Shenzhen, Guangdong, China

Go to www.tp-led.com
To learn more about saving money and energy.