

StreamLine 4 Linear Light

Recessed Installation for Indoor Places

To learn more about saving money and energy, Go to www.tp-led.com

TOPBAND StreamLine 4 LED Linear Light is seamless connection recessed installation. Available in multiple lengths 4FT and 5FT, the linear lights can be configured to meet a wide variety of needs. The StreamLine 4 Series Linear lights are designed with specialized optics that deliver maximum lumens and conceal the LED light sources behind the lens to create a pleasing dimensional illumination. Flicker-free optional. 0-10V dimmable.



Product Features

Electrical

- Long-life LED system with an energy-efficient electronic driver comes in UNV (100-240V) version. Offered in standard and high efficacy optional.
- Flicker-free optional design. Power efficiency up to 90%.
- LED drivers have over-voltage, over-current and short circuit protection.
- Surge protection: 500V. System power factor is >0.95 and THD<10%.

Optical

- The standard linear frosted polycarbonate lens obscures the LED image and deliver light evenly.
- Optional microprismatic lens for general lighting with low glare optics design.
- LEDs available in 3000K, 4000K, 5000K with CRI>80.
- Projected life is 50,000 hours at 70% lumen output.
- Environmentally-friendly: No mercury. No hazardous substances.

Construction

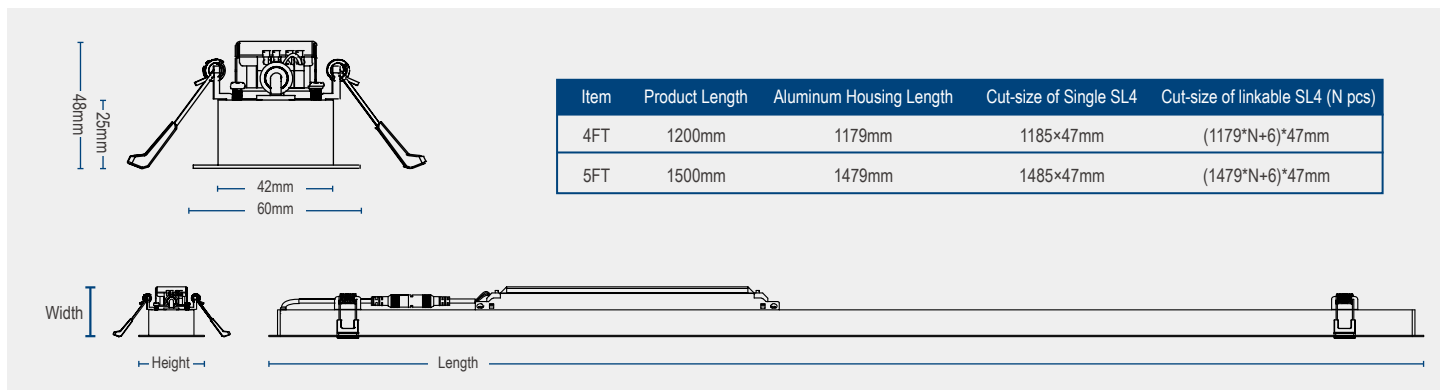
- Available in 4FT and 5FT standard lengths.
- Slim and compact fixture without visible screws outside.
- Working temp:-20~50°C(-4~122°F).

Mounting

- StreamLine LED Linear with recessed installation features with modern aesthetic design.
- Seamless connection to expand the linear system for wider applications.



Product Dimensions



StreamLine 4 Linear Light

To learn more about saving money and energy, Go to www.tp-led.com

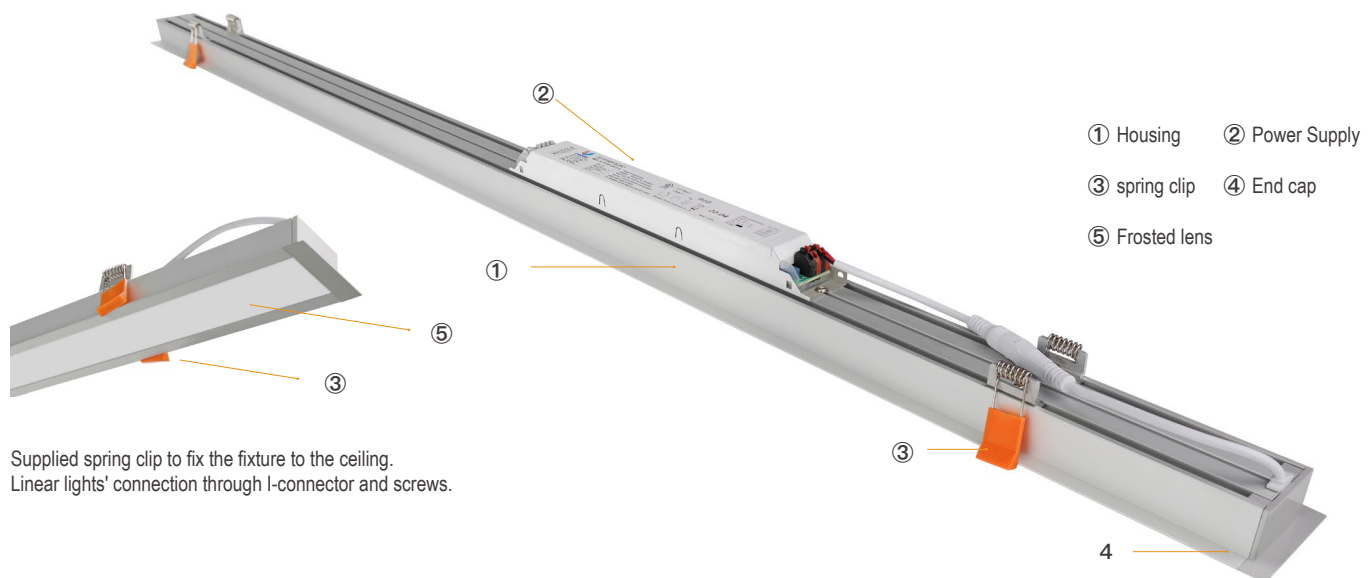
Parameter

Ordering Information								Example: TPSSL4LN4DMA-30WB
TP	SL4	LN	4	D	M	A	30W	B
Manufacturer	Products Series	Products Type	Length	Function	AC Input	Version	Product Wattage	LEDs
Topband	StreamLine 4 Series	Linear light	4=4FT 5=5FT	D= Dimmable	100-240V	1st Generation	30W, 40W, 50W	SMD 2835 LEDs

Model No.	Power	Efficacy	Lumens	Size	CCT Range
TPSSL4LN4DMA-30WB	30W	105LPW	3150lm	4FT	3000K / 4000K / 5000K
TPSSL4LN4DMA-40WB	40W	105LPW	4200lm	4FT	3000K / 4000K / 5000K
TPSSL4LN5DMA-50WB	50W	105LPW	5250lm	5FT	3000K / 4000K / 5000K

Summary	
Beam angle:	110°
Power efficiency:	90%
Dimmable:	0-10V
Flicker:	Flicker-free optional
LED:	SMD 2835 LEDs
Output Voltage:	36V
THD:	<20%
CRI:	>80
PF:	>0.9
Colour:	Silver
Warranty:	5 years

Details



Supplied spring clip to fix the fixture to the ceiling.
Linear lights' connection through I-connector and screws.

StreamLine 4 Linear Light

To learn more about saving money and energy, Go to www.tp-led.com

Energy saving solution

Estimated lighting costs using a traditional fluorescent lights

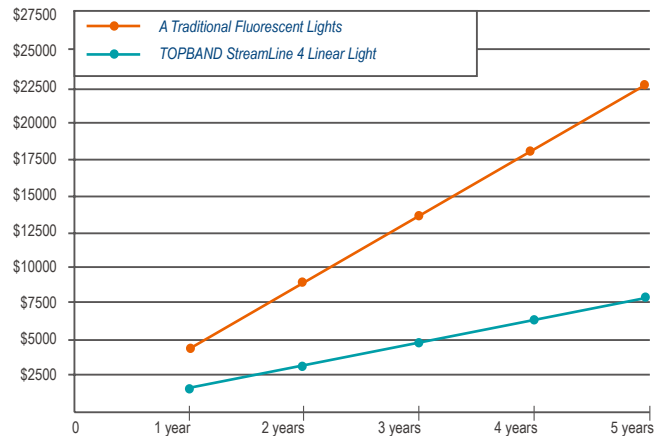
Present wattage	85 W
× Annual operating hours	4,380 hrs
	= 372,300 Watt-Hours
÷ 1,000	= 372,3 kWh per year
× kWh rate of \$0.10	= \$37.23 per year
× 125 fixtures	\$4,653.75 annual energy cost per space

Estimated lighting costs using a TOPBAND StreamLine 4 Linear Light

Present wattage	30 W
× Annual operating hours	4,380 hrs
	= 131,400 Watt-Hours
÷ 1,000	= 131.4 kWh per year
× kWh rate of \$0.10	= \$13.14 per year
× 125 fixtures	\$1,642.5 annual energy cost per space

Total estimated annual savings \$3,011.25

Based on 125 fixtures per space operating 4,380 hours a year. 125 fixtures is roughly equivalent to a 10,000 square foot space. kWh rates will vary.



Savings calculations are based on energy costs using \$0.1 per kWh and 12 hours of daily operation.

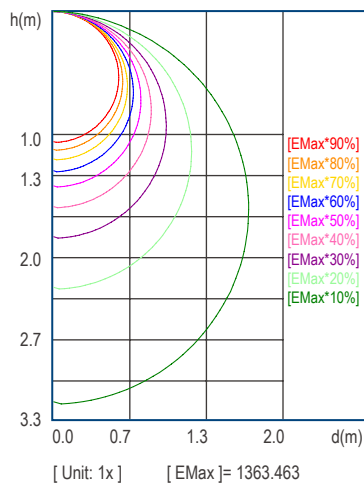
Photometry

TPSL4LN4DMA-30WB-2835LEDMLS-3150 nominal delivered lumens

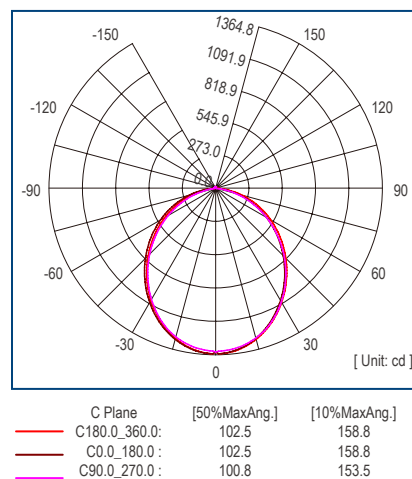
Catalog No. TPSL4LN4DMA-30WB Manufacture: TOPBAND S/MH: C0_a180=1.193 C90_270=1.185 Lamp Type: LED Rated Voltage: 220V	Coefficients of Utilization Coefficients of Utilization - Zonal Cavity Method Effective Floor Cavity Reflectance RFC=0.20																							
	Coef.		Effective Floor Cavity Reflectance RFC=0.20																					
RhoCC(%)	80				70				50				30				10				0			
RhoW(%)	70	50	30	10	70	50	30	10	50	30	10	50	30	10	50	30	10	50	30	10	0	0	0	0
RCR	Coefficient of Utilization(%)																							
0	119	119	119	119	116	116	116	116	110	110	110	105	105	105	101	101	101	98						
1	109	104	100	96	106	102	98	94	97	94	91	93	90	88	89	87	85	83						
2	99	91	84	79	96	89	83	78	85	80	75	82	77	74	78	75	72	69						
3	90	80	72	66	88	78	71	65	75	69	64	72	67	62	69	65	61	59						
4	83	71	62	56	80	70	62	55	67	60	54	64	58	54	62	57	53	50						
5	76	64	55	48	74	62	54	48	60	53	47	58	52	47	56	50	46	44						
6	71	57	49	42	69	56	48	42	54	47	42	53	46	41	51	45	41	38						
7	65	52	44	37	64	51	43	37	50	42	37	48	41	36	47	41	36	34						
8	61	48	39	33	59	47	39	33	45	38	33	44	38	33	43	37	32	31						
9	57	44	36	30	56	43	35	30	42	35	30	41	34	30	40	34	29	28						
10	54	40	33	27	52	40	32	27	39	32	27	38	31	27	37	31	27	25						

Photometric values based on test performed in compliance with LM-79.

C0 Space ISO Illuminance Curve



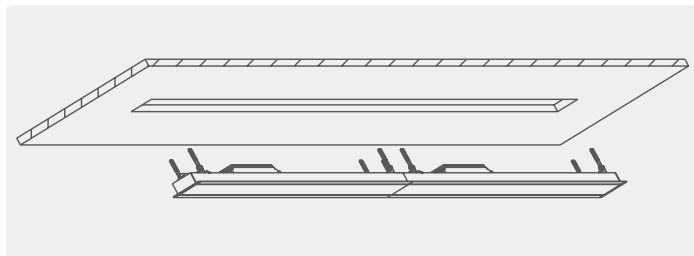
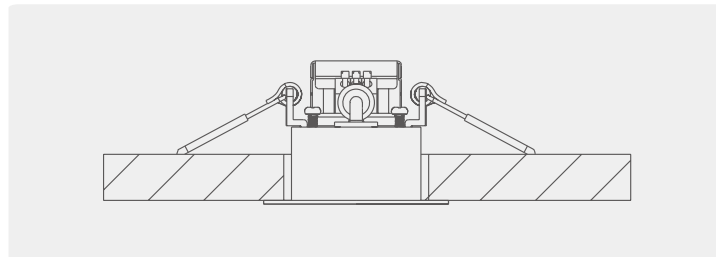
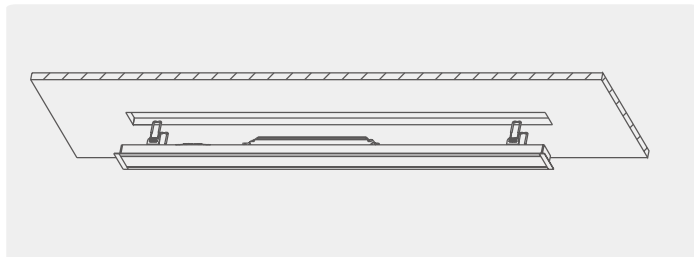
C Plane Distribution Diagram



StreamLine 4 Linear Light

To learn more about saving money and energy, Go to www.tp-led.com

Installation



Size	Dimensions Length*Width*Height	Aluminum Housing Length (mm)	Max Connected Quantities		
			100-120V	220-240V	100-240V
4FT	1200*60*25mm (47.24*2.36*0.98")	1179mm(46.41")	7	14	7
5FT	1500*60*25mm (59.05*2.36*0.98")	1479mm(58.22")	5	10	5

* Please refer to *Installation Manual of StreamLine 4 Linear Light* for more information.

TOPBAND StreamLine 4 Linear Light :

- Please check the accessory bag before installation.
- Turn power off before installation or disassembly.
- Connect the wires correctly.

Schematic Diagram of Packaging



Size	N.W. / Product	G.W. / Carton	Product Dimension	Carton Dimension	Pcs / Carton	Container Quantity (ctn)		
						20GP	40GP	40HQ
4FT	0.81 kg(1.78 lb)	11.25 kg(24.80 lb)	1200*60*25mm(47.24*2.36*0.98")	1250*245*250mm(49.21*9.64*9.84")	12 pcs	351	747	840
5FT	1.00 kg(8.20 lb)	13.50 kg(29.76 lb)	1500*60*25mm(59.05*2.36*0.98")	1550*245*250mm(61.02*9.64*9.84")	12 pcs	288	612	690

* Storage temp: -30°C ~ +60°C (-22°F ~ +140°F).

TOPBAND

CO-INNOVATING A SMARTER FUTURE

FOR LIGHT EFFICIENT DESIGN PRODUCT INFO CALL
TEL. +86-755 2765 1503 • FAX. +86-755 2765 1845 • Email. sales@tp-led.com •

SHENZHEN TOPBAND CO.,LTD.
Add: Topband Industrial Park,Bao'an District, Shenzhen,Guangdong,China

Go to www.tp-led.com
To learn more about saving money and energy.