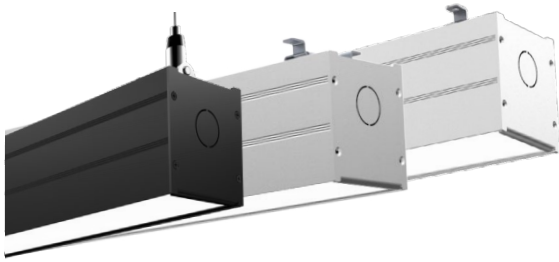


StreamLine 1 Linear Light

To learn more about saving money and energy, Go to www.tp-led.com



TOPBAND StreamLine 1 LED Linear Light is an architectural linear lights for replacing traditional fluorescent lights in commercial applications. The lights are designed with specialized optics that deliver maximum lumens and conceal the LED light sources behind the lens to create a pleasing dimensional illumination. It's the compact linear fixture featuring an integral power supply (Accepts 100-277VAC), CCT & wattage adjustable optional. It can be suspended or surface-mounted. Sleek and attractive linear appearance makes it popular option for offices, retail stores, schools, residences and hotels.



Product Features

Electrical

- Long-life LED system with an energy-efficient electronic driver comes in 100-277VAC.
- 0-10V dimming available, from 0 to 100% dimming.
- LED drivers have over-voltage, over-current and short circuit protection.
- Surge protection: 500V. System power factor is >0.9 and THD<20%.

Optical

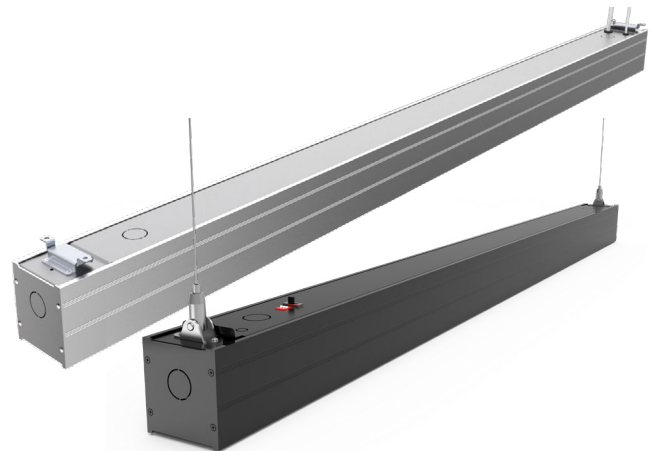
- The standard extruded linear frosted polycarbonate lens obscures the LED image and deliver light evenly.
- CCT adjustable optional, 3500K-4000K-5000K. Projected life is 50,000 hours at 70% lumen output.
- Environmentally-friendly: No mercury. No hazardous substances.
- Reduced energy consumption.

Construction

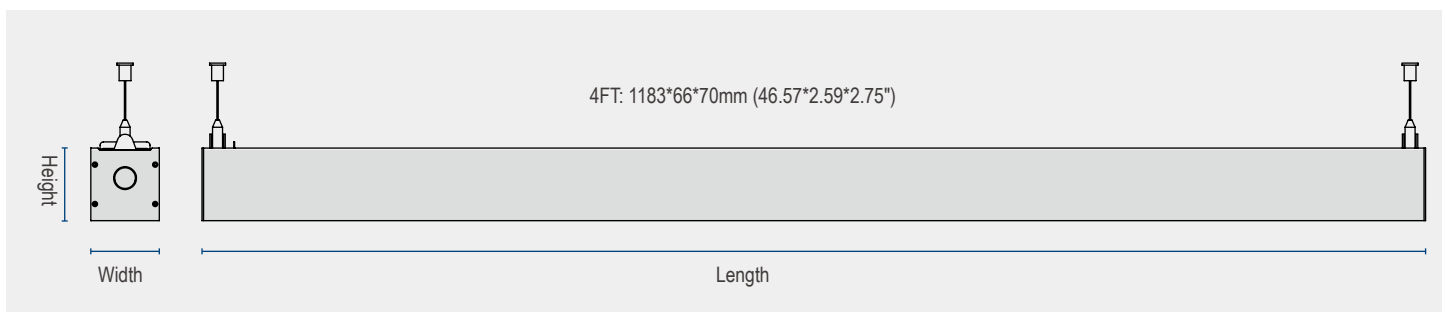
- Integrated design: aluminum end caps and body provides strength.
- Available in silver, white and black color with 4FT lengths.
- Slim and compact fixture makes it outstanding.

Mounting

- With the ability to mount on the wall and ceiling or pendant mount from the ceiling, the StreamLine 1 LED Linear light is highly versatile in where it can be used.
- Continuous row using aluminum connector.



Product Dimensions



StreamLine 1 Linear Light

To learn more about saving money and energy, Go to www.tp-led.com

Parameter

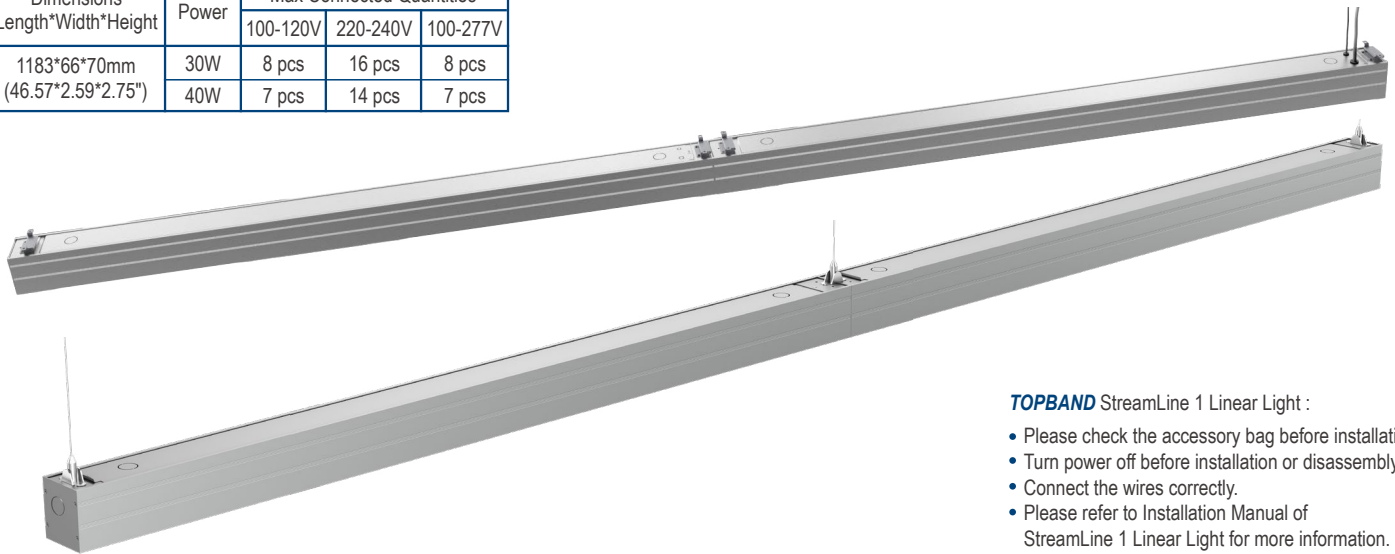
Ordering Information							Example: TPSSL1LN4DLA-30WB	
TP	SL1	LN	4	D	L	A	30W	B
Manufacturer	Products Series	Products Type	Length	Function	AC Input	Version	Product Wattage	LEDs
Topband	StreamLine 1 Series	Linear light	4=4FT	D= Dimmable	AC100-277V	First production	30W, 40W	SMD 2835 LEDs

Summary	Model No.	Power	Lumens	Efficacy	Size	CCT Range
General Type	TPSSL1LN4DLA-30WB	30W	3300lm	110LPW	4FT	3500K / 4000K / 5000K
	TPSSL1LN4DLA-40WB	40W	4400lm	110LPW	4FT	3500K / 4000K / 5000K
CCT & Wattage Adjustable	TPSSL1LN4DLA-40WB	30W-35W-40W	/	110LPW	4FT	3500K - 4000K - 5000K

Summary	
Beam angle:	110°
Dimmable:	0-10V
THD:	<20%
CRI:	>80
PF:	>0.9
Colour:	Black / White / Silver

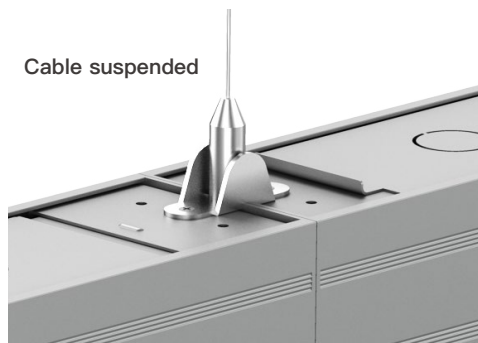
Details

Dimensions Length*Width*Height (46.57*2.59*2.75")	Power	Max Connected Quantities		
		100-120V	220-240V	100-277V
	30W	8 pcs	16 pcs	8 pcs
	40W	7 pcs	14 pcs	7 pcs



TOPBAND StreamLine 1 Linear Light :

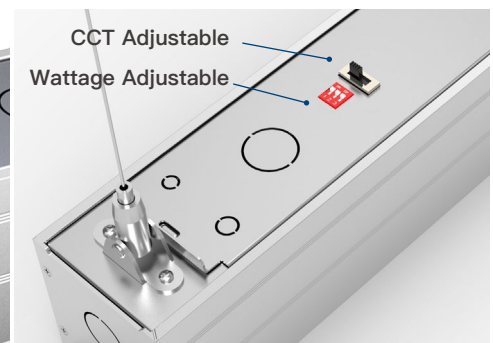
- Please check the accessory bag before installation.
- Turn power off before installation or disassembly.
- Connect the wires correctly.
- Please refer to Installation Manual of StreamLine 1 Linear Light for more information.



Cable suspended



Surface Mount

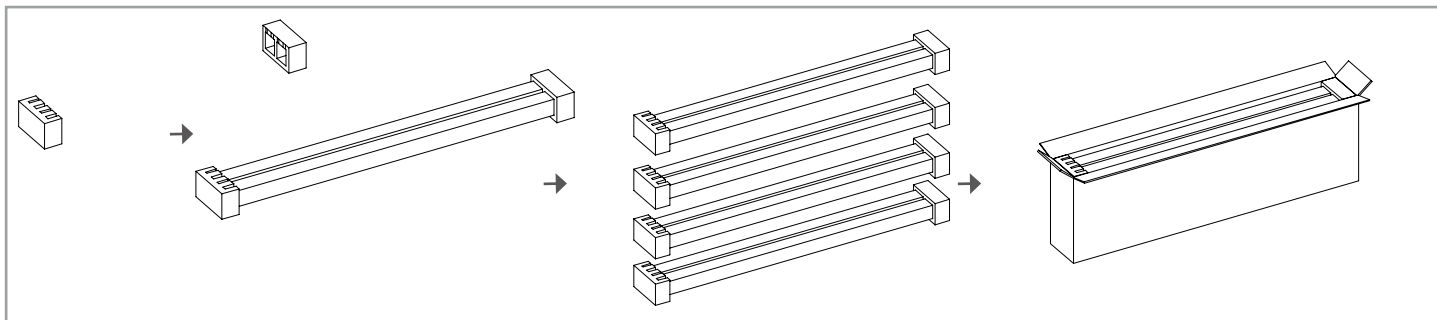


CCT Adjustable
Wattage Adjustable

StreamLine 1 Linear Light

To learn more about saving money and energy, Go to www.tp-led.com

Schematic Diagram of Packaging



size	N.W. / Product	G.W. / Carton	Product Dimension	Carton Dimension	CBM	Pcs / Carton
4FT	2.28 kg(5.02 lb)	19.95 kg(43.98 lb)	1183*66*70mm (46.57*2.59*2.75")	1260*205*330mm(49.60*8.07*12.99")	0.09 m ³	8 pcs, 4 storeys

* Storage temp: -30°C ~ +60°C (-22°F ~ +140°F).

TOPBAND

CO-INNOVATING A SMARTER FUTURE

FOR LIGHT EFFICIENT DESIGN PRODUCT INFO CALL
TEL. +86-755 2765 1503 • FAX. +86-755 2765 1845 • Email. sales@tp-led.com •
SHENZHEN TOPBAND CO.,LTD.
Add: Topband Industrial Park,Bao'an District,Shenzhen,Guangdong,China

Go to www.tp-led.com
To learn more about saving money and energy.