

TOPBAND

CO-INNOVATING A SMARTER FUTURE



HighLux LED Wrap Light

The small profile LED HighLux Wrap Light is a popular linear light solution for traditional fluorescent light. It features a contemporary slim design with volumetric light distribution. No flicker. Embedded smart sensor to save more energy. 2FT and 4FT available for many commercial lighting applications. Cable suspension, surface mount, wall mount and stem suspension for option.

SHENZHEN TOPBAND CO.,LTD.

Add: Topband Industrial Park, Bao'an District, Shenzhen, Guangdong, China



Product features

The low-profile and linear HighLux LED Wrap Light offers superior light output in a maintenance free fixture. With a durable metal frame, and a glare free, frosted lens, you can install these fixtures to replace traditional metal halide and linear fluorescent systems. Built to commerce standard measurements, installation is quick and easy. Ideal for many applications including dorridors, school, retail, kitchens, utility work area and stairways.

Construction

- Housing: durable cold-rolled steel construction.
- Finish: specialised white power coat for higher efficiency and longer lasting durability.
- Large wiring compartment and multiple knock-outs to accommodate lighting controls.
- 2FT, 4FT for option. Continuous run available.
- Easy of installation and maintenance.
- IP20, suitable for indoor applications.

Electrical

- Wide range of AC input: 100-277V. PF>0.95. THD<10%.
- Long-life LEDs, coupled with high-efficiency driver, provide superior efficiency of 135lm/W, saving up to 60% than traditional fluorescent lights.
- No flicker. Power efficiency up to 88%.
- To ensure trouble-free operation, protection is provided against output over-current, output over-voltage, and short circuit.
- It has 1KV surge protection.
- Instant on, no warm up time for full light.

Rating

- ETL:
Luminaires-UL 1598:2008 Ed.3+R:17Oct2012
Luminaires(R2013)-CSA C22.2#250.0:2008 Ed.3+G1;G2
- DesignLights Consortium (DLC) Premium qualified.

Applications

- An extensive selection of installations makes the HighLux Wrap light perfect for schools, offices, stairwells and other commercial spaces.
- Working temp: -20~45 °C (-4~113 °F).
Storage temp: -30~60 °C (-22~140 °F).

Optical

- Ribbed polycarbonate frosted lens deliver bright, white light and excellent uniformity.
- Specialised volumetric illumination design makes lighting more comfortable and reduces dark space.
- Flicker free protects human eyes from eye fatigue, creating more healthy ambient environment.
- CRI80, 120° beam angle standard.
- 3000K,4000K,5000K for option.

Control

- Integrated sensor including occupancy sensing and daylight harvesting.
- Work with Topband bluetooth APP with phone or iPad. Group control, scene setting, dimming control and more functions can be achieved.

Mounting

- Multiple mounting options: cable suspension, surface mount, wall mount, stem suspension.
- An excellent choice for renovation and new construction.

Warranty

- 5-Year Limited Warranty. Long lifespan of 50,000 hours.

Ordering Information

TPCTLN2DLA-20WB-P



Manufacturer	Products Series	Products Type	Product Length	Function	AC Input	Version	Wattages	LEDs	Efficiency
Topband	HighLux	Linear wrap light	2=2FT 4= 4FT	Dimmable	AC100-277V	1st generation	20W 26W 40W	2835SMD	Premium efficiency

Parameter

Model No.	Power (W)	Frosted Cover	Efficacy Lm/W	Dimension	Maximum Input Current	LED QTY
TPCTLN2DLA-20WB-P	20	2700LM	135	597*144*70.5mm	0.25A	192
TPCTLN4DLA-20WB-P	20	2700LM	135	1197*144*70.5mm	0.25A	312
TPCTLN4DLA-26WB-P	26	3510LM	135	1197*144*70.5mm	0.30A	312
TPCTLN4DLA-40WB-P	40	5400LM	135	1197*144*70.5mm	0.45A	384

CRI Range: > 80
Warranty: 5 years

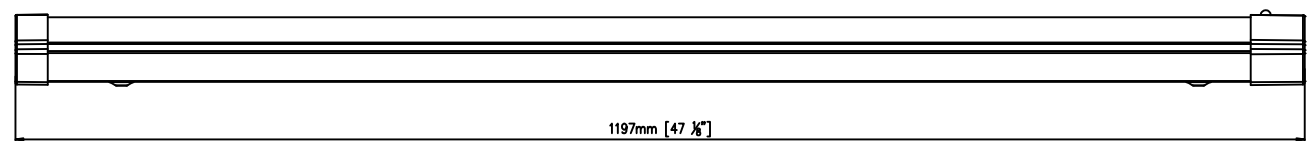
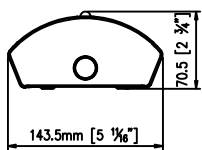
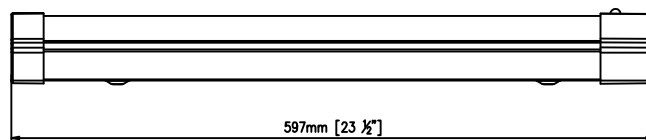
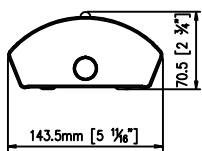
THD: < 10%
Beam Angle: 120°

Output Voltage: 36V
Lifetime: 50,000hrs

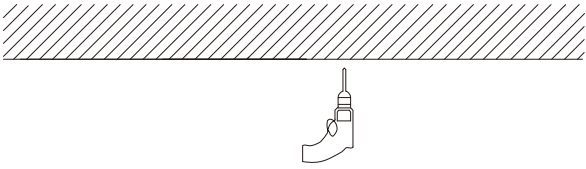
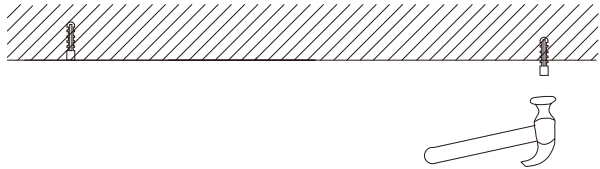
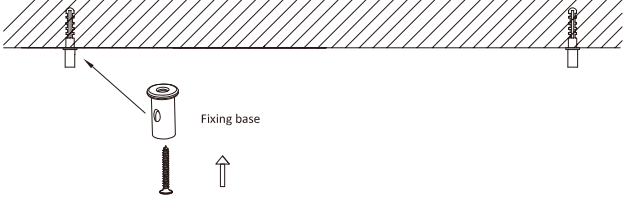
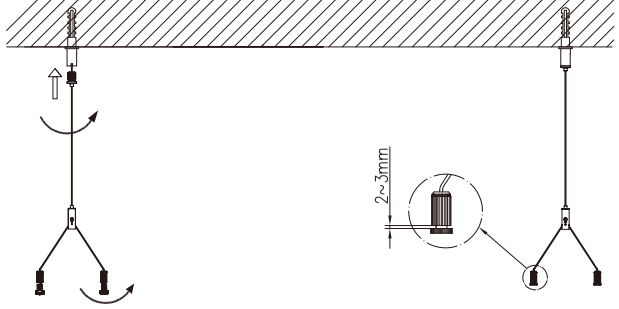
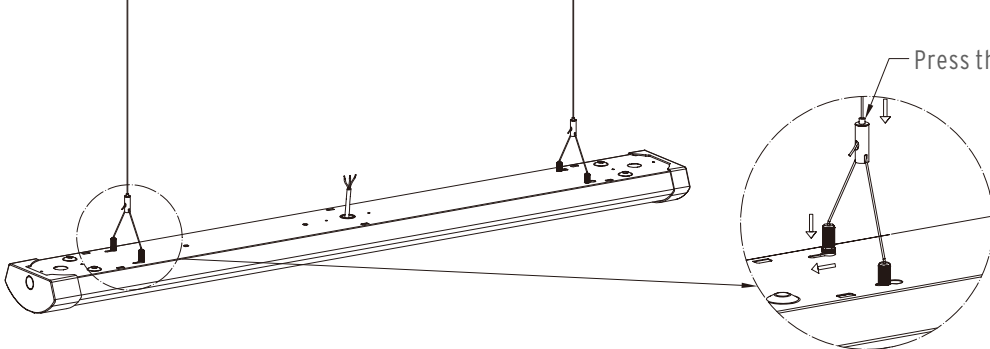
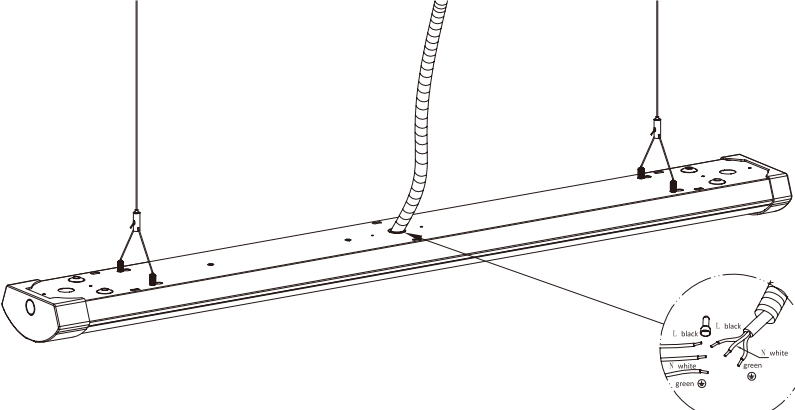
Power Efficiency: ≥ 88%
AC Input: 100-277V 50/60Hz

Light Efficiency: 135Lm/W
CCT Range: 3000/4000/5000K

Product Dimensions

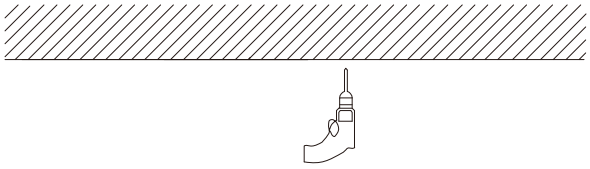


Cable Suspension

<p>1</p>  <p>Drill two desired holes on the ceiling as shown above.</p>	<p>2</p>  <p>Tap the wall anchor into the hole.</p>
<p>3</p>  <p>Pass screw through cable gripper, and then inserted into wall anchor.</p>	<p>4</p>  <p>Twist the Y-type cable module into the fixing base. And twist the fixing screw into the ends. Notice: spare the distance about 2-3mm.</p>
<p>5</p>  <p>Tighten the fixing base into the fixture firmly. Adjust the cable length to level the fixture.</p>	
<p>6</p>  <p>Connect the L (black), N (white) and GND (green) to the corresponding wires of ACCord from ceiling by wiring nuts. If dimming function needed, connect the dimmable wires also. Turn on light and enjoy it.</p>	

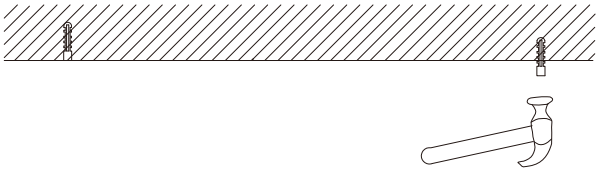
Surface Mount

1



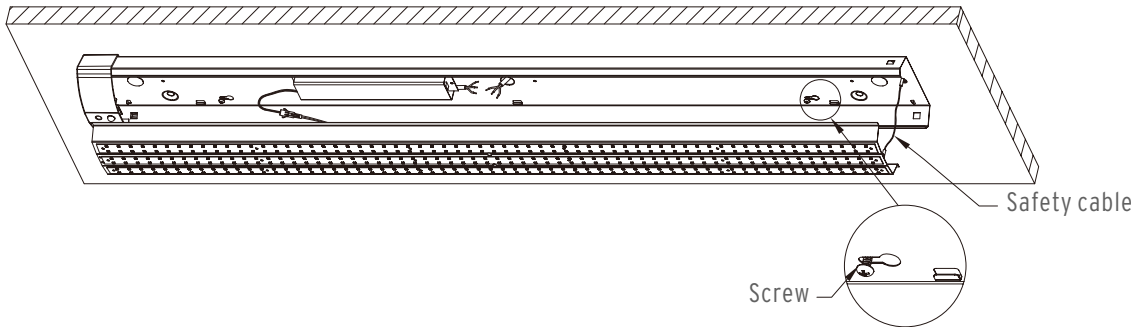
Drill two desired holes on the ceiling as shown above.

2



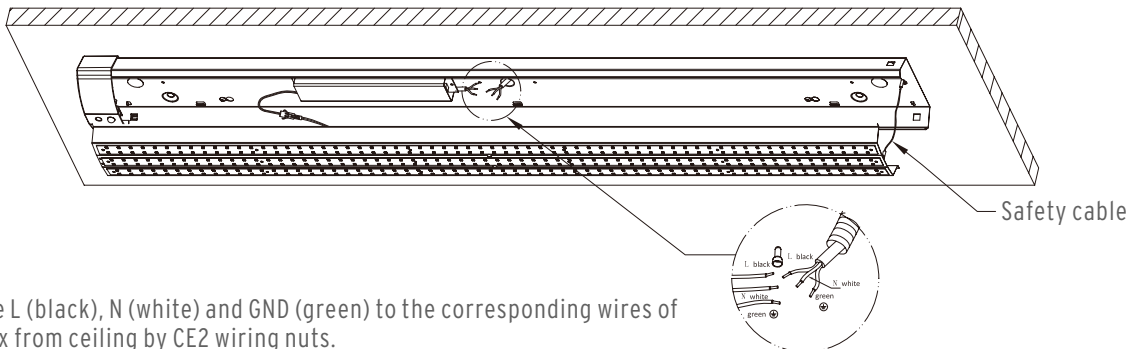
Tap the wall anchor into the hole.

3



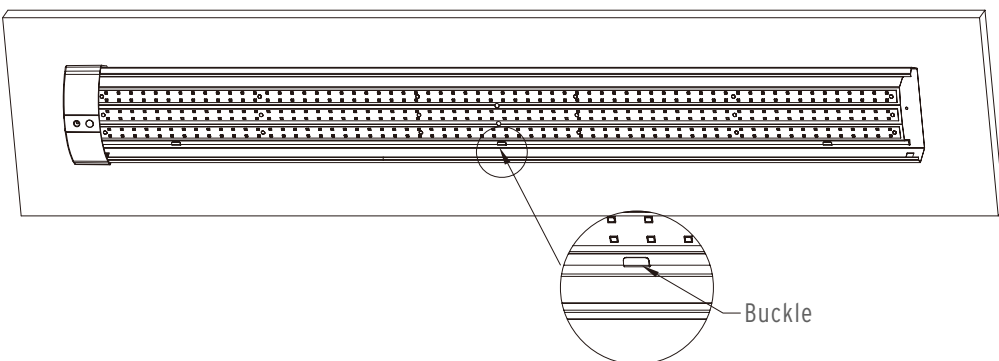
Lift up the fixture and tighten the light body with four screws.

4



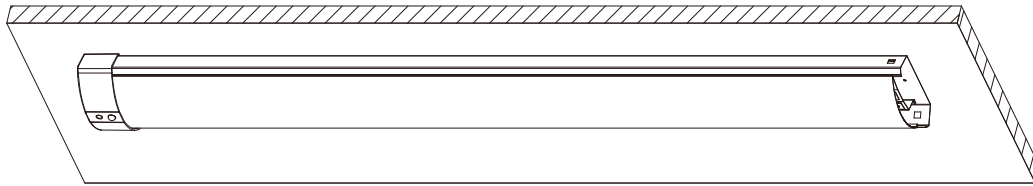
Connect the L (black), N (white) and GND (green) to the corresponding wires of junction box from ceiling by CE2 wiring nuts. If dimming function needed, connect the dimmable wires by CE1 wiring nuts also. Match the fixture's AC output terminal with light board's wiring terminal.

5



Tighten the light board to the light body.

6



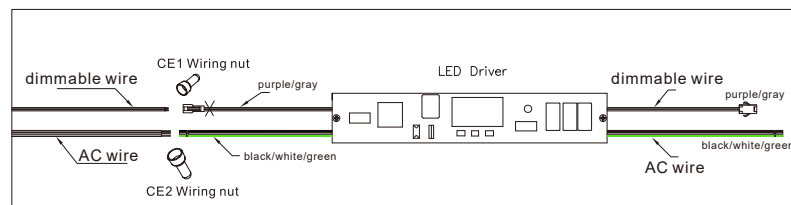
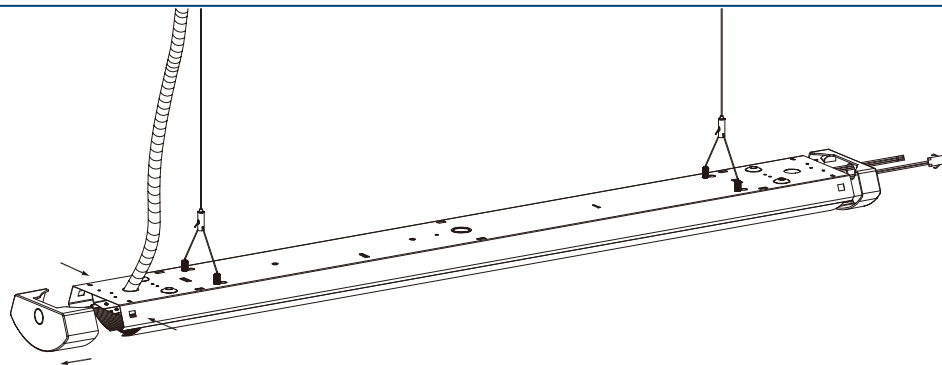
Fix the diffuser to the light body.

7



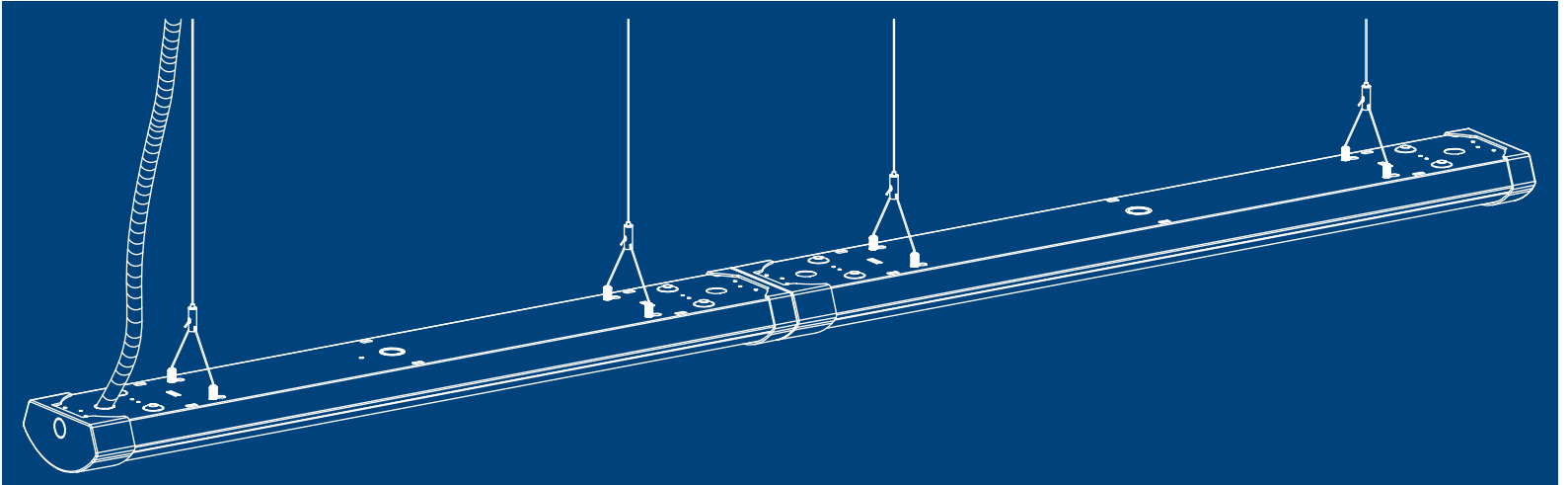
Attach the endcap to the light body. Turn on the light and enjoy it.

Wiring Diagram

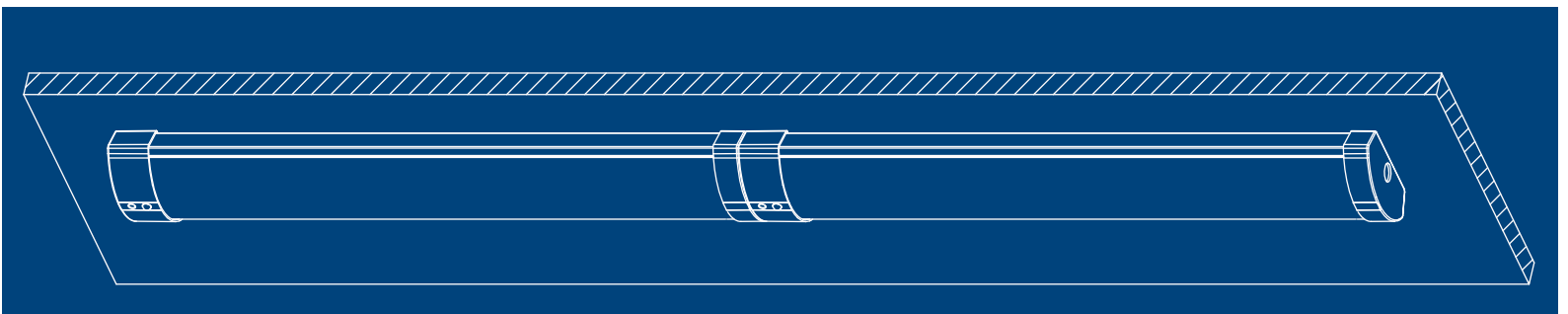


Connect the LED driver's wire to the AC input wire with CE2 wiring nut. If dimming needed, connect the dimmable wire with CE1 after cutting off the terminal.

Connection for Cable Suspension



Connection for Surface Mount

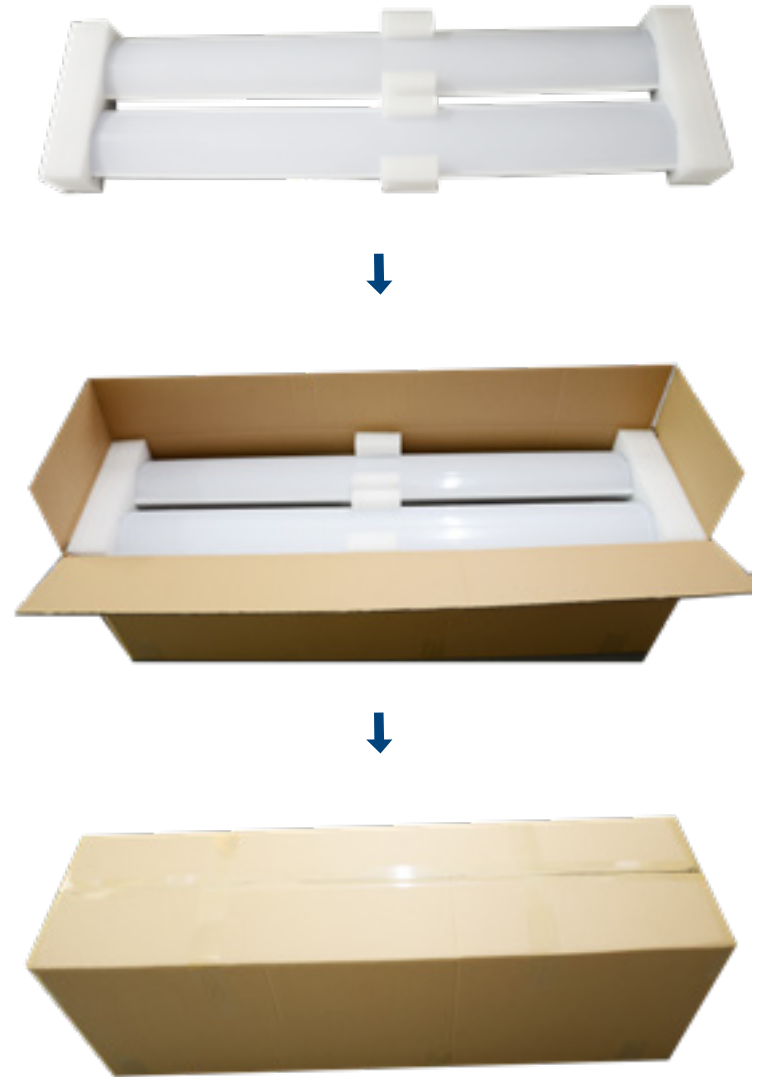
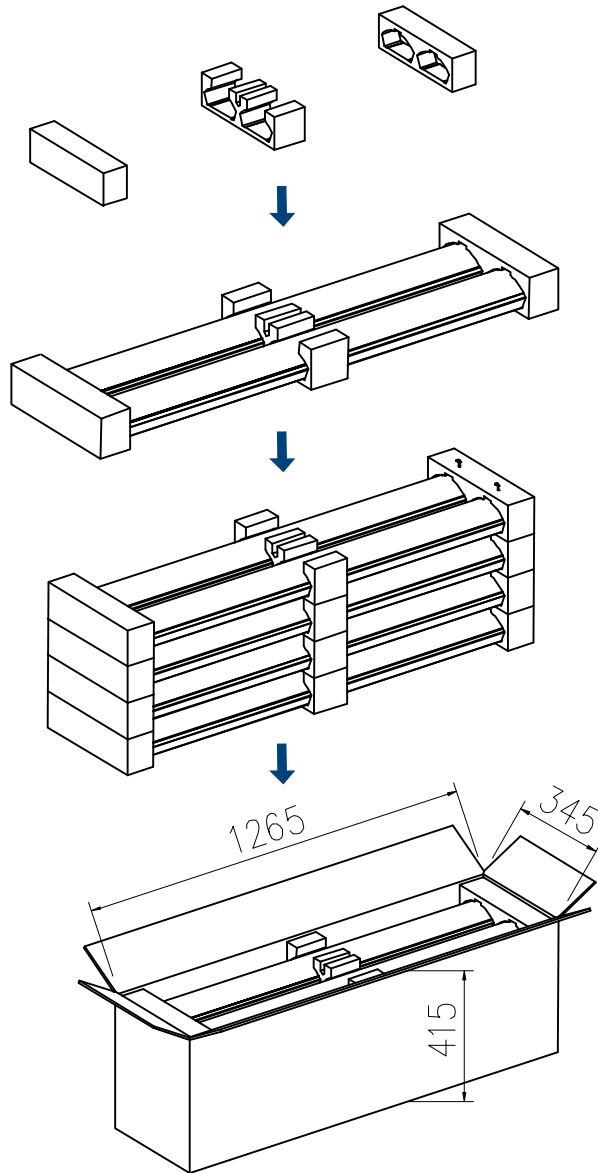


How many LED fixtures we could connect on one

Input Wattage(W)	Input Voltage(V)	Max Q'TY
20	100	15
20	120	18
20	230	36
20	277	43
26	100	12
26	120	14

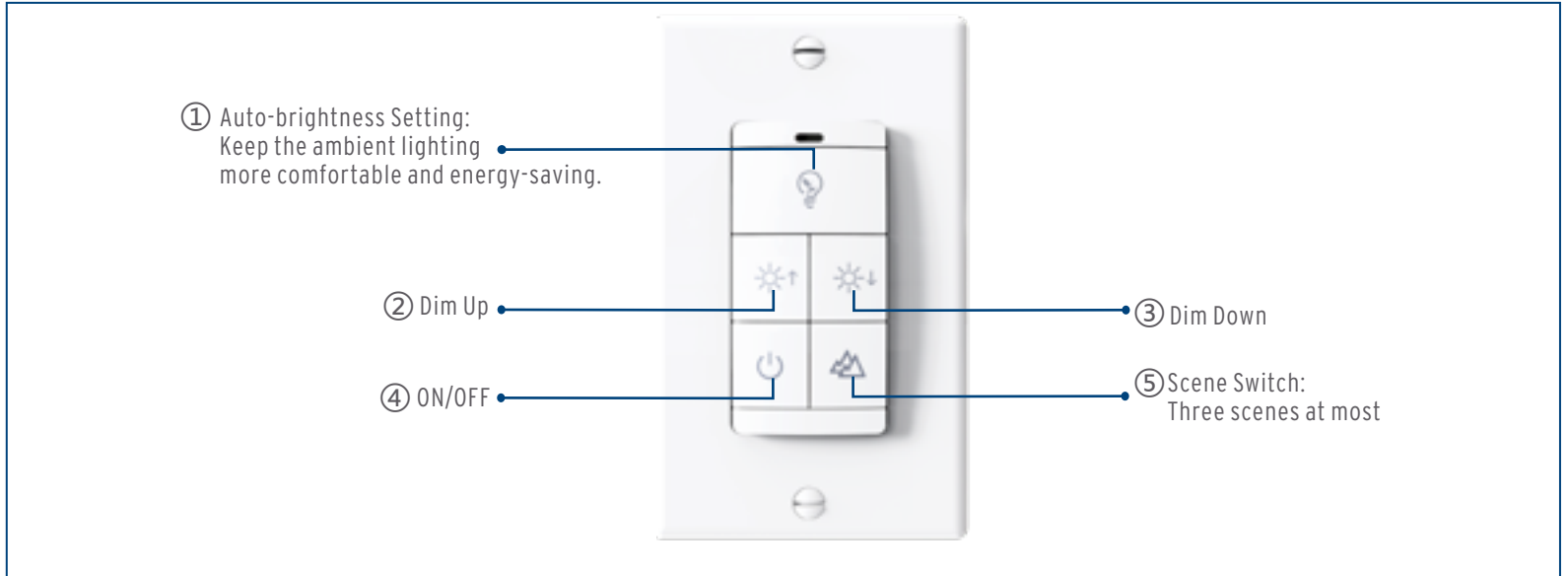
Input Wattage(W)	Input Voltage(V)	Max Q'TY
26	230	29
26	277	35
40	100	7
40	120	9
40	230	18
40	277	22

Packing Diagram

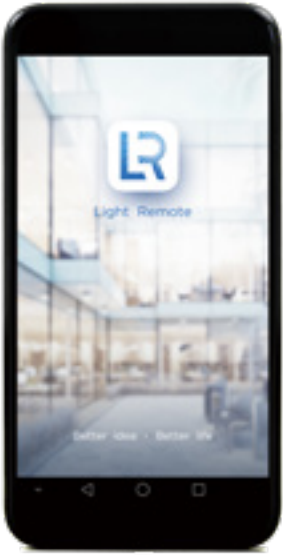



Wattage	Product Dimension	Carton Dimension	N.W. / Product	G.W. / Carton	Pcs/Carton
20W	587*144*70.5mm	665*345*415mm	1.25kg	11.50kg	2 pcs / 4 storeys
20W	1197*144*70.5mm	1265*345*415mm	2.09kg	19.12kg	2 pcs / 4 storeys
26W	1197*144*70.5mm	1265*345*415mm	2.09kg	19.12kg	2 pcs / 4 storeys
40W	1197*144*70.5mm	1265*345*415mm	2.09kg	19.12kg	2 pcs / 4 storeys

Wireless Bluetooth Lighting Control System




BLUE TOOTH







Group control




Instant scene




Dimming



Auto-Brightness




OTA



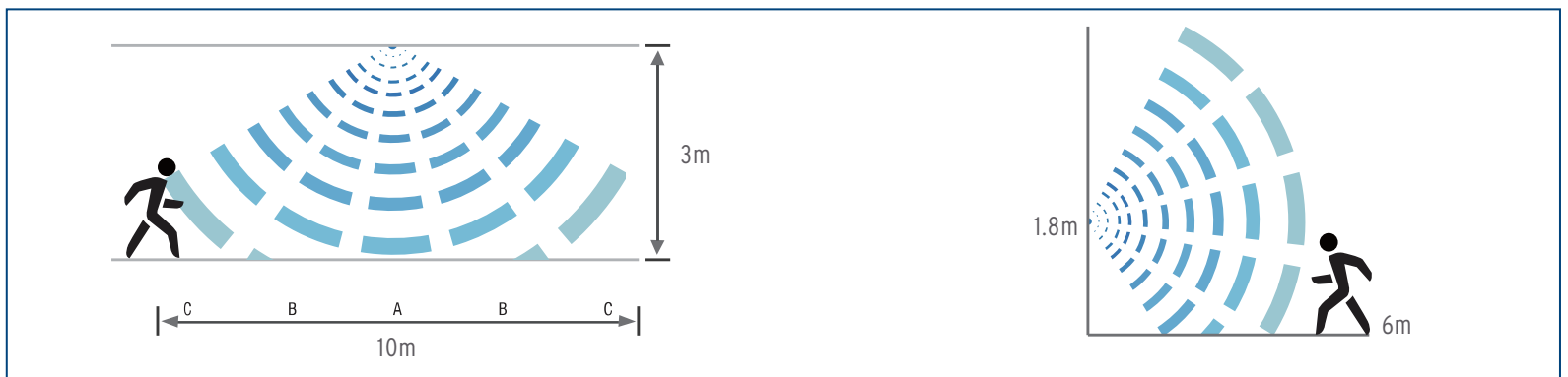
Auto Calibration

Time	Time
100	200
300	400
500	600
700	800
900	1000

Schedule



High-end trim



Application

