

## Backlit Flat LED Panel Light

**TOPBAND** Backlit Flat LED Panel Light is a highly versatile luminaire designed to provide smooth lighting. It comes in 2x2, 2x4 and 1x4 back lit light distribution for a shadowless and more evenly distributed effect. The enhanced optics with back lit technology produces a low glare and a consistent even illumination. Backlit panel light has a longer lifespan, good resistance to yellowing. Four types are designed: general 1-10V dimming type, CCT adjustable type, wattage adjustable type, CCT and wattage adjustable type. power efficiency >0.87.



### PRODUCT FEATURES

#### Electrical

- Input voltage: 100-277VAC, 50/60Hz. Long-life LEDs provide the fixture a rate life of 50,000 hours.
- Excellent luminaire efficacy provides significant energy savings.
- Isolated power supply is relatively safer.
- To ensure trouble-free operation, protection is provided against output over-current, output over-voltage, short circuit.

#### Optical

- Translucent white polystyrene (PS) face frame delivers soft and comfortable light.
- Specialised optics design makes the light more uniform.
- 80 CRI minimum source provides excellent color rendering.
- Lead free and eco-friendly, zero maintenance.

#### Construction

- Compared with general edge lit panel, backlit is more lightweight without the light guide plate (LGP).
- The light is made of cold-rolled steel SPCC back and aluminum frame.
- All 1'x4', 2'x2' and 2'x4' panel light are manufactured with quality components and finishes.

#### Application

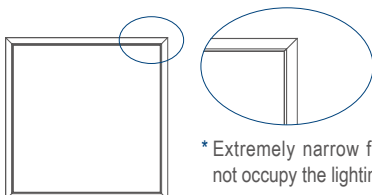
- **TOPBAND** Backlit Flat LED Panel Light is the ideal low profile replacement for fluorescent fixture.
- Ideal for general lighting applications such as open office, schools, healthcare, and retail.



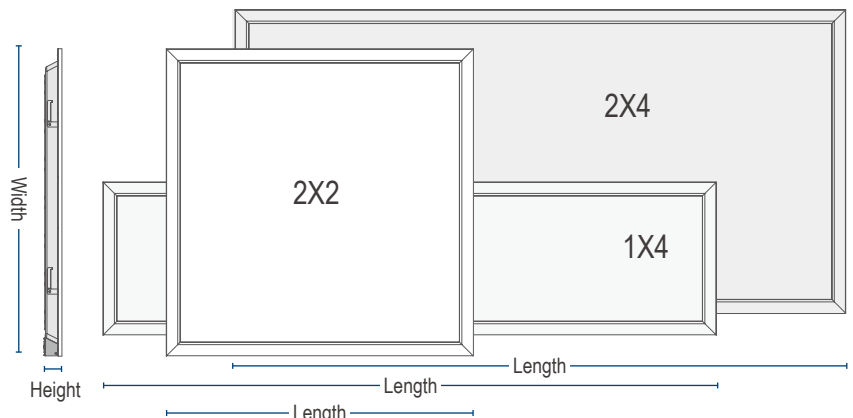
- \* Optional: **CCT Adjustable / Wattage adjustable / 0-10V dimming.**
- \* Switchable CCT technology: Three discrete color temperatures are adjustable after purchase.
- \* Switchable Wattage technology: Three adjustable wattages allow for easy field-adjustable lighting output.

### DIMENSION

Dimensions	Length	Width	Height
1X4	1213mm/47.75"	303mm/11.9"	35mm/1.37"
2X2	603mm/23.74"	603mm/23.74"	35mm/1.37"
2X4	1213mm/47.75"	603mm/23.74"	35mm/1.37"



\* Extremely narrow frame, does not occupy the lighting area.



\* All dimensions are inches (centimeters) unless otherwise indicated.

# Backlit Flat LED Panel Light

To learn more about saving money and energy, Go to [www.tp-led.com](http://www.tp-led.com)

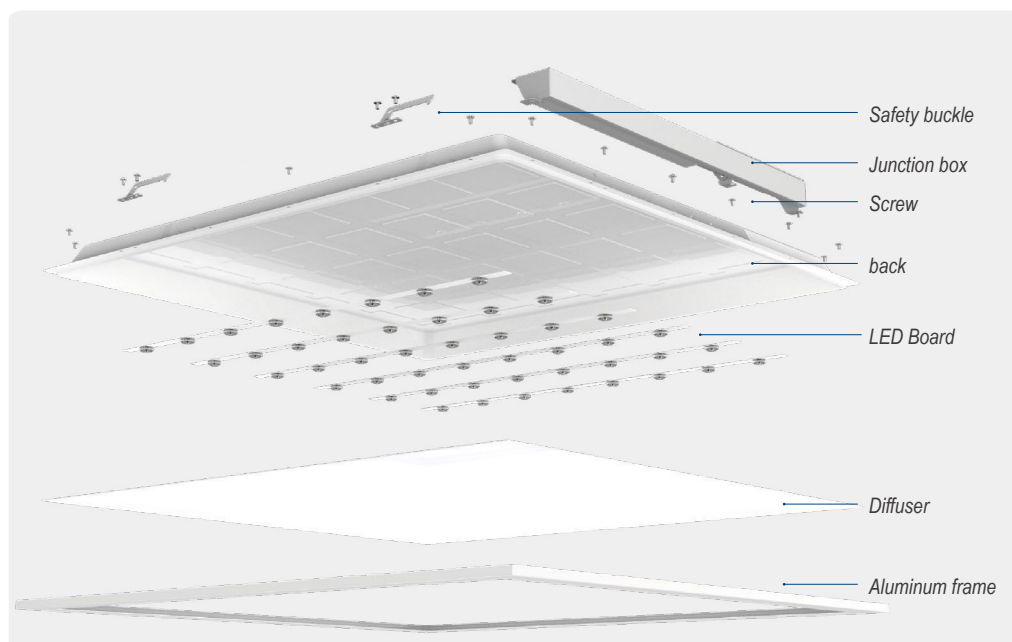
## PARAMETER

Ordering Information								Example: TPUBPD14DLA-26WB
TP	UB	PD	14	D	L	A	40W	B
Manufacturer	Products Series	Products Type	Length	Function	AC Input	Version	Product Wattage	LEDs
Topband	Backlit	Panel Direct lighting	14=1x4FT 22=1x2FT 24=1x4FT	D= Dimmable	100-277V	1st Generation	40W=26-32-40W 50W=32-40-50W	SMD2835

Dimensions	Model No.	Power	Lumens
1X4 FT	TPUBPD14DLA-40WB	26-32-40W	3250-4000-5000lm
2X2FT	TPUBPD22DLA-40WB	26-32-40W	3250-4000-5000lm
2X4FT	TPUBPD24DLA-50WB	32-40-50W	4000-5000-6250lm

Summary	
<b>Efficacy:</b>	125LPW
<b>Beam angle:</b>	120°
<b>CCT:</b>	3500K, 4000K, 5000K
<b>CCT adjustable:</b>	Optional (3500K- 4000K- 5000K)
<b>Wattage adjustable:</b>	Optional (26-32-40W,32-40-50W)
<b>Dimmable:</b>	Optional (0-10V)
<b>CRI:</b>	>80
<b>THD:</b>	<20%
<b>PF:</b>	>0.9
<b>Power efficiency:</b>	87%
<b>Output voltage:</b>	36V
<b>Certification:</b>	DLC&ETL
<b>Working temp:</b>	-20°C ~ +40°C (-4°F ~ +104°F)
<b>Storage temp:</b>	-30°C ~ +60°C (-22°F ~ +140°F)
<b>Environment:</b>	Indoor / Dry
<b>Color:</b>	White

## DETAILS



# Backlit Flat LED Panel Light

To learn more about saving money and energy, Go to [www.tp-led.com](http://www.tp-led.com)

## ENERGY SAVING SOLUTION

### Estimated lighting costs using a standard 3 lamp T8 troffer

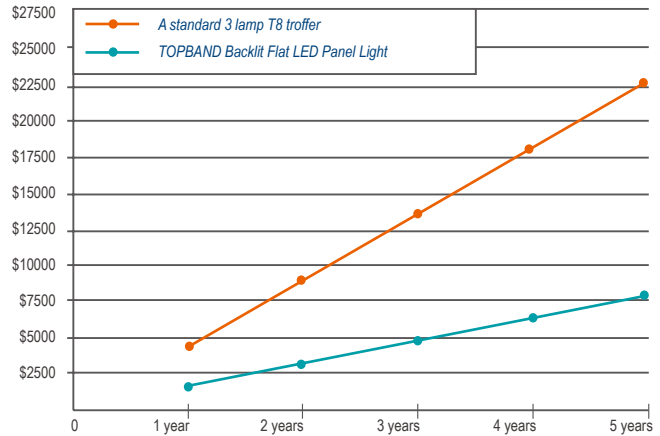
Present wattage	85 W
× Annual operating hours	4,380 hrs
	= 372,300 Watt-Hours
÷ 1,000	= 372,3 kWh per year
× kWh rate of \$0.10	= \$37.23 per year
× 125 fixtures	\$4,653.75 annual energy cost per space

### Estimated lighting costs using a TOPBAND Backlit Flat LED Panel Light

Present wattage	32 W
× Annual operating hours	4,380 hrs
	= 121,600 Watt-Hours
÷ 1,000	= 121,6 kWh per year
× kWh rate of \$0.10	= \$12.16 per year
× 125 fixtures	\$1,520 annual energy cost per space

**Total estimated annual savings \$3,133.75**

Based on 125 fixtures per space operating 4,380 hours a year. 125 fixtures is roughly equivalent to a 10,000 square foot space. kWh rates will vary.



Savings calculations are based on energy costs using \$0.1 per kWh and 12 hours of daily operation.

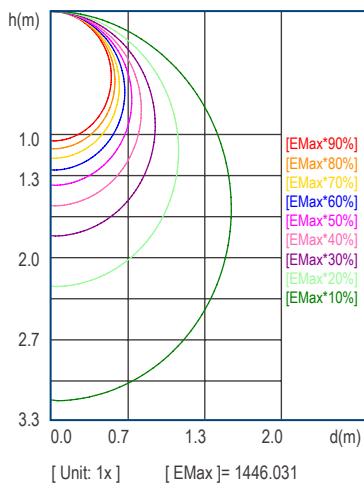
## PHOTOMETRY

### TPUBPD14DLA-32WB-2835LEDMLS-4000 nominal delivered lumens

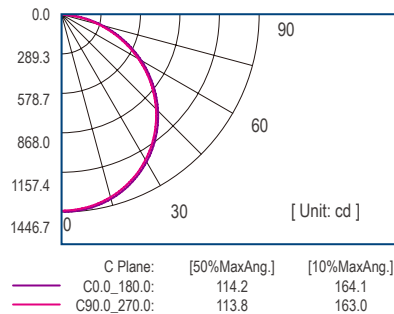
<b>Catalog No.</b>	TPUBPD14DLA-40WB	<b>Coefficients of Utilization</b>																												
<b>Manufacture:</b>	TOPBAND	<b>Coefficients of Utilization - Zonal Cavity Method</b>																												
<b>S/MH:</b>	C0_a180=1.272 C90_270=1.265	Effective Floor Cavity Reflectance RFC=0.20																												
<b>Lamp Type:</b>	LED	RhoCC(%)				80				70				50				30				10				0				
<b>Rated Voltage:</b>	120V	RhoW(%)				70				50				30				10				0				0				
		RCR																												
		Coefficient of Utilization(%)																												
		0	1	2	3	4	5	6	7	8	9	10	118	118	118	118	115	115	115	115	110	110	110	104	104	104	99	99	99	97
		1	108	103	99	95	105	100	96	93	96	92	89	91	89	86	87	85	83	87	87	87	80	75	71	76	73	69	67	
		2	98	90	83	77	95	87	81	76	83	78	73	80	75	71	76	73	69	67	67	63	59	56	56	51	48	44	41	
		3	89	78	70	64	86	77	69	63	73	67	61	70	65	60	67	63	59	56	56	51	48	44	41	38	34	32	28	
		4	72	69	61	43	79	68	60	53	65	58	52	62	56	51	60	55	50	48	48	43	41	38	36	32	28	25	23	
		5	75	62	53	54	73	61	52	46	58	51	45	56	49	44	54	48	43	41	41	35	30	28	25	23	20	18	16	
		6	69	56	47	46	67	55	46	40	52	45	39	51	44	39	49	43	38	36	36	30	25	23	20	18	16	14	12	
		7	64	50	42	40	62	49	41	35	48	40	35	46	39	34	44	38	34	32	32	26	21	19	16	14	12	10	9	
		8	60	46	37	32	58	45	37	31	44	36	31	42	35	31	41	35	30	28	28	22	17	15	12	10	9	8	7	
		9	56	42	34	28	54	41	34	28	40	33	28	39	32	28	38	32	27	25	25	19	14	12	10	9	8	7	6	
		10	52	39	31	26	51	38	31	26	37	30	25	36	30	25	35	29	25	23	23	17	12	10	9	8	7	6	5	

Photometric values based on test performed in compliance with LM-79.

C0 Space ISO Illuminance Curve



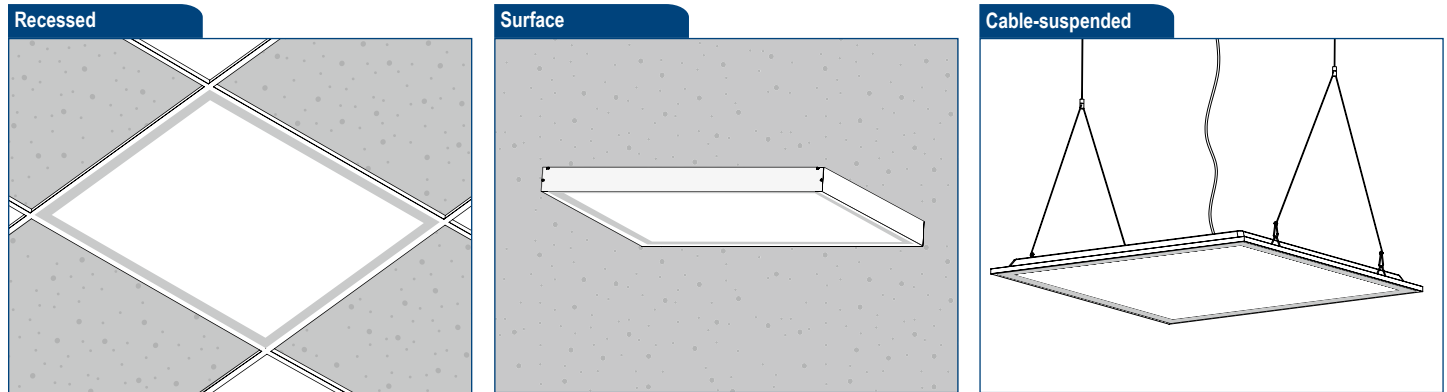
C Plane Distribution Diagram



# Backlit Flat LED Panel Light

To learn more about saving money and energy, Go to [www.tp-led.com](http://www.tp-led.com)

## INSTALLATION

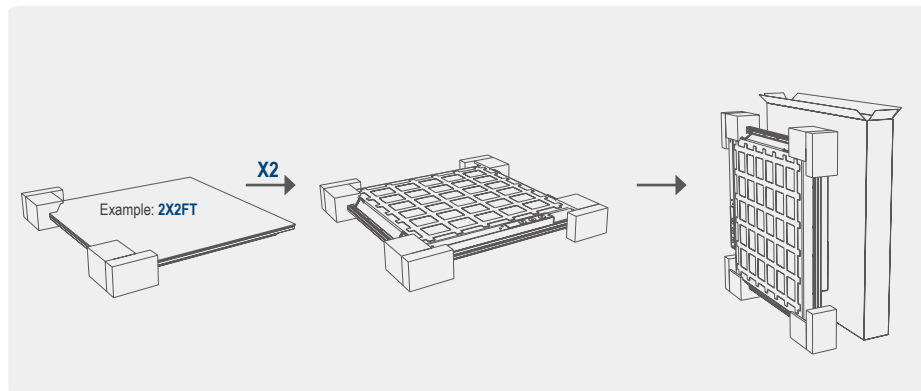


TOPBAND Backlit Flat LED Panel Light :

- Please check the accessory bag before installation.
- Turn power off before installation or disassembly.
- Connect the wires correctly. If the dimming wire not needed, make it insulated in case of electricity.

\* Please refer to Installation Manual of LED Panel Light for more information.

## SCHEMATIC DIAGRAM OF PACKAGING



Size	Product Dimension	Carton Dimension	N.W. / Product	G.W. / Carton	Pcs / Carton
1X4 FT	1213*303*35mm(47.75*11.9*1.37")	1303*95*405mm(51.29*3.74*15.94")	2.08kg(4.58lb)	5.26kg(11.59lb)	2 pcs, 1 storey
2X2 FT	603*603*35mm(23.74*23.74*1.37")	695*95*705mm(27.36*3.74*27.75")	2.15kg(4.73lb)	5.64kg(12.43lb)	2 pcs, 1 storey
2X4 FT	1213*603*35mm(47.75*23.74*1.37")	1303*95*705mm(51.29*3.74*27.75")	4.13kg(9.10lb)	9.86kg(21.73lb)	2 pcs, 1 storey

# Backlit Flat LED Panel Light

To learn more about saving money and energy, Go to [www.tp-led.com](http://www.tp-led.com) 

---

## WARNING

### *RISK OF FIRE OR ELECTRIC SHOCK*

The Backlit Flat LED Panel Light must be installed by a qualified electrician in accordance with applicable federal, state, and local laws and codes. Installation requires knowledge of luminaire electrical systems and installer should be familiar with the operation of this product. If not qualified, do not attempt installation; contact a qualified electrician. Manufacturer assumes no responsibility for the improper installation of this luminaire. When installing the fixture, drilling may damage luminaire wiring and electrical parts. Check for wiring and components in enclosure before drilling. Before installation or maintenance, please disconnect the power to prevent electric shock.

## WARNING

To prevent wiring damage or abrasion, do not expose wiring to edges of sheet metal or other sharp objects. When installing this kit, drilling may damage luminaire wiring and electrical parts. Check for wiring and components in enclosure before drilling.

## CAUTION

### *RISK OF PERSONAL INJURY*

- Wear gloves or proper handling protection to prevent cuts or abrasions when handling and maintaining this product. This equipment may have sharp edges. To reduce the risk of death, personal injury or property damage from fire, electric shock, falling parts, cuts/abrasions, and other hazards read all warning and instructions included with and on the fixture box and all fixture labels.

- Avoid direct eye exposure to the light source while it is on.

## WARNING

### *RISK OF PERSONAL INJURY, FIRE OR ELECTRIC SHOCK*

Turn OFF power before installation.

## NOTICE

- Specifications and dimensions subject to change without notice.
- Please keep the LED Panel away from any corrosive substance, and please use dry cloth when you clean it.
- Suitable for Dry location only.

Contact manufacturer with any questions or concerns regarding installation of this luminaire.

# TOPBAND

CO-INNOVATING A SMARTER FUTURE

FOR LIGHT EFFICIENT DESIGN PRODUCT INFO CALL  
TEL. +86-755 2765 1503 • Email. sales@tp-led.com •  
SHENZHEN TOPBAND CO.,LTD.  
Add: Topband Industrial Park,Bao'an District,Shenzhen,Guangdong,China

Go to [www.tp-led.com](http://www.tp-led.com)  
To learn more about saving money and energy.

